

DATA GIS 400kV	
System Voltage	420kV
Rated Voltage	400kV
Rated frequency	50Hz
Rated lightning impulse Voltage	1425 kV
Rated power frequency Voltage	650kV
Rated Switching impulse Voltage	1050kV
Rated current busbar	4000A
Rated Current Bes- Tie (HT)	4000A
Rated Current Feeder	2000A
Rated Short time withstand Current (1 s)	50KA
Rated Short circuit breaking Current	50kA

DATA GIS 132 kV	
Rated System Voltage	145kV
Rated Normal Voltage	132kV
Rated frequency	50Hz
Rated lightning impulse Voltage	650 kV
Rated power frequency Voltage	275kV
Rated Short time withstand Current (1 s)	40 kA
Rated current busbar	2000A

Filing pressure (as gauge pressure at 20 C)	
Circuit breaker	5.6 bar
Switchgear	3.8 bar
Voltage transformer	5.6 bar

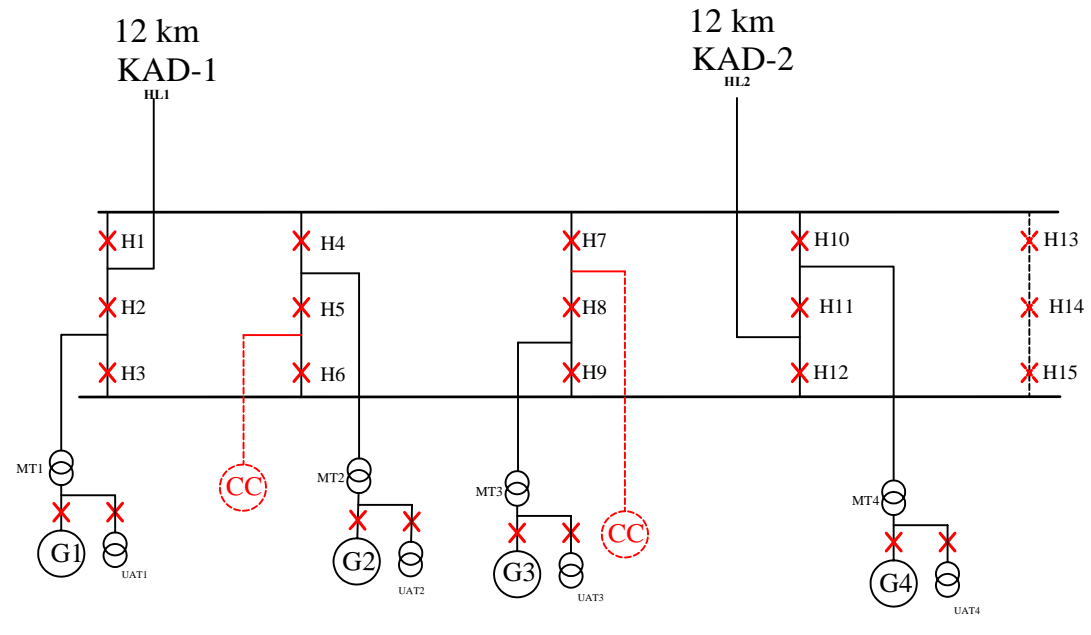
LEGEND	
G	Generator
MT	Main Transformer
UAT	Unit Auxiliary Transformer
HT	Bus -Tie Circuit Breaker 400 kV
H	Circuit Breaker 400 kV
PT	Potential Transformer
G.S.T	General Servis Transformer
BC	Bus-Copuler Circuit Breaker 132 kV
CC	Combine Cycle
-----	Future
	3×592/70 ACSR 2270 MVA
	2× 492/65 ACSR 1000 MVA

جمهورية العراق وزارة الكهرباء مكتب التخطيط والدراسات	Reublie Of Iraq Ministry Of Electricity Planning and Studies Office	
SHATT AL BASRAH GAS POWER PLANT محطة شط البصرة الغازية		
Drawing No. SHBG (With C.C)		
SGT5-PAC 4000F		
Ministry Of Electricity Gas power Plant		8DQ1 SWITCHGER 400kV
Per.	Remarks	Date
		12/21/2009
		Ahmed
SINGLE LINE DIAGRAM GIS 400 kV		
Rev.No.4		

1 2 3 4 5 6 7 8 9 10 11 12

Field Bay	= CO1	= CO2	= CO3	= CO4	= CO5
Serial No.					

DATA GIS 400kV	
System Voltage	420kV
Rated Voltage	400kV
Rated frequency	50Hz
Rated lightning impulse Voltage	1425 kV
Rated power frequency Voltage	650kV
Rated Switching impulse Voltage	1050kV
Rated current busbar	4000A
Rated Current Bes- Tie (HT)	4000A
Rated Current Feeder	2000A
Rated Short time withstand Current (1 s)	50KA
Rated Short circuit breaking Current	50kA

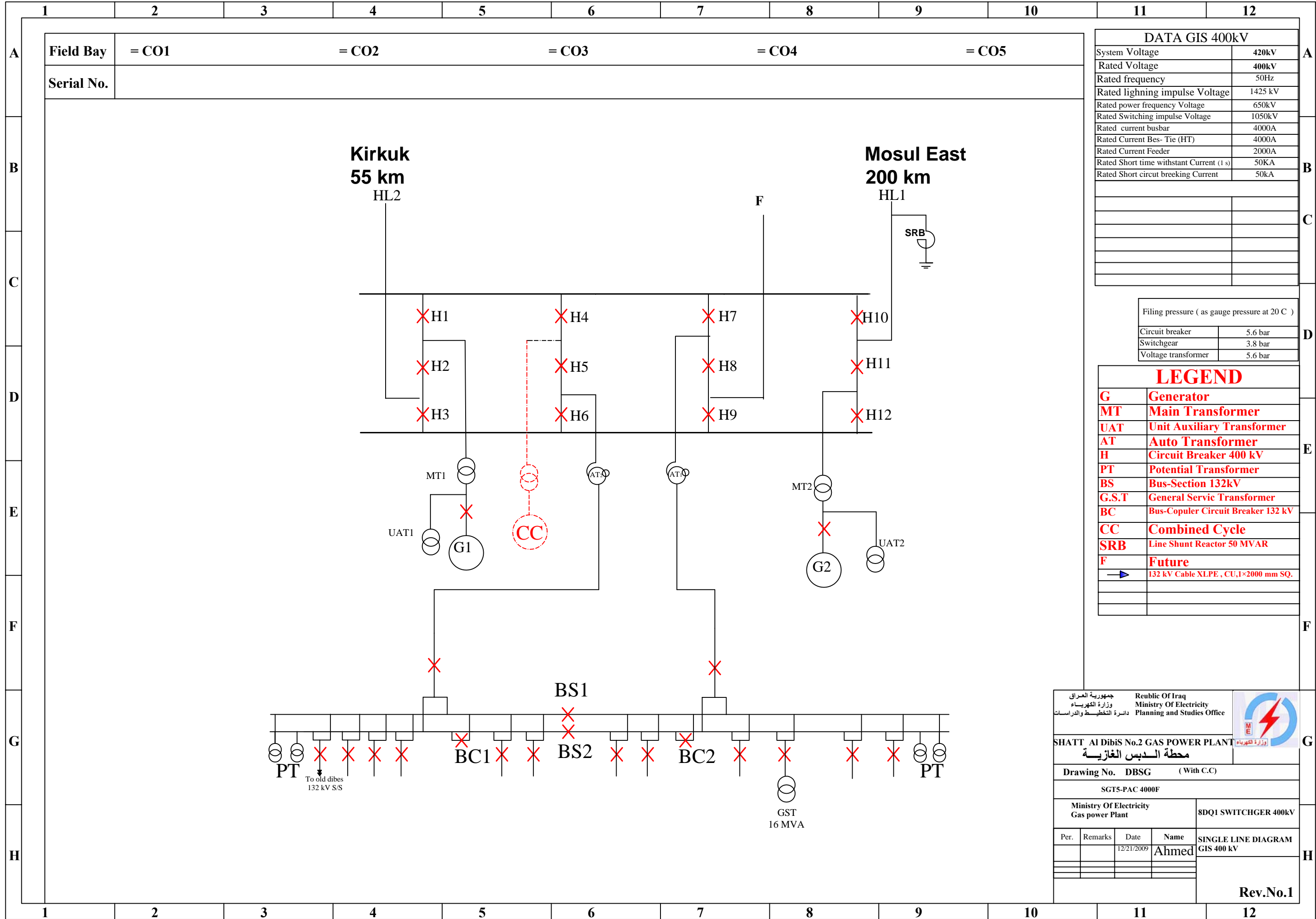


Filing pressure (as gauge pressure at 20 C)	
Circuit breaker	5.6 bar
Switchgear	3.8 bar
Voltage transformer	5.6 bar

LEGEND	
G	Generator
MT	Main Transformer
UAT	Unit Auxiliary Transformer
AT	Auto Transformer
HT	Bus -Tie Circuit Breaker 400 kV
H	Circuit Breaker 400 kV
PT	Potential Transformer
BS	Bus-Section 132kV
G.S.T	General Serviv Transformer
BC	Bus-Copuler Circuit Breaker 132 kV
CC	Combine Cycle
SRL	Line Shunt Reactor 50 MVAR
F	Future
S/S	Sub - Station

جمهورية العراق وزارة الكهرباء دائرة التخطيط والدراسات		Reublic Of Iraq Ministry Of Electricity Planning and Studies Office		
Al DEWANIYA Gas power Plant محطة الديوانية الغازية				
Drawing No. dwng (With C.C) SGT5-PAC 4000F				
Ministry Of Electricity Gas power Plant		8DQ1 SWITCHGER 400kV		
Per.	Remarks	Date	Name	SINGLE LINE DIAGRAM GIS 400 kV
		12/17/2009	Ahmed	
Rev.No.1				

1 2 3 4 5 6 7 8 9 10 11 12



DATA GIS 400kV	
System Voltage	420kV
Rated Voltage	400kV
Rated frequency	50Hz
Rated lightning impulse Voltage	1425 kV
Rated power frequency Voltage	650kV
Rated Switching impulse Voltage	1050kV
Rated current busbar	4000A
Rated Current Bes- Tie (HT)	4000A
Rated Current Feeder	2000A
Rated Short time withstand Current (1 s)	50KA
Rated Short circuit breaking Current	50kA

Filing pressure (as gauge pressure at 20 C)	
Circuit breaker	5.6 bar
Switchgear	3.8 bar
Voltage transformer	5.6 bar

LEGEND	
G	Generator
MT	Main Transformer
UAT	Unit Auxiliary Transformer
AT	Auto Transformer
H	Circuit Breaker 400 kV
PT	Potential Transformer
BS	Bus-Section 132kV
G.S.T	General Servic Transformer
BC	Bus-Copuler Circuit Breaker 132 kV
CC	Combined Cycle
SRB	Line Shunt Reactor 50 MVAR
F	Future
→	132 kV Cable XLPE , CU,1×2000 mm SQ.

جمهورية العراق / Ministry Of Electricity
 وزارة الكهرباء / Planning and Studies Office
 دائرة التخطيط والدراسات

Republic Of Iraq
 Ministry Of Electricity
 Planning and Studies Office

SHATT Al DibiS No.2 GAS POWER PLANT
 محطة السديس الغازية

Drawing No. DBSG (With C.C)
 SGT5-PAC 4000F

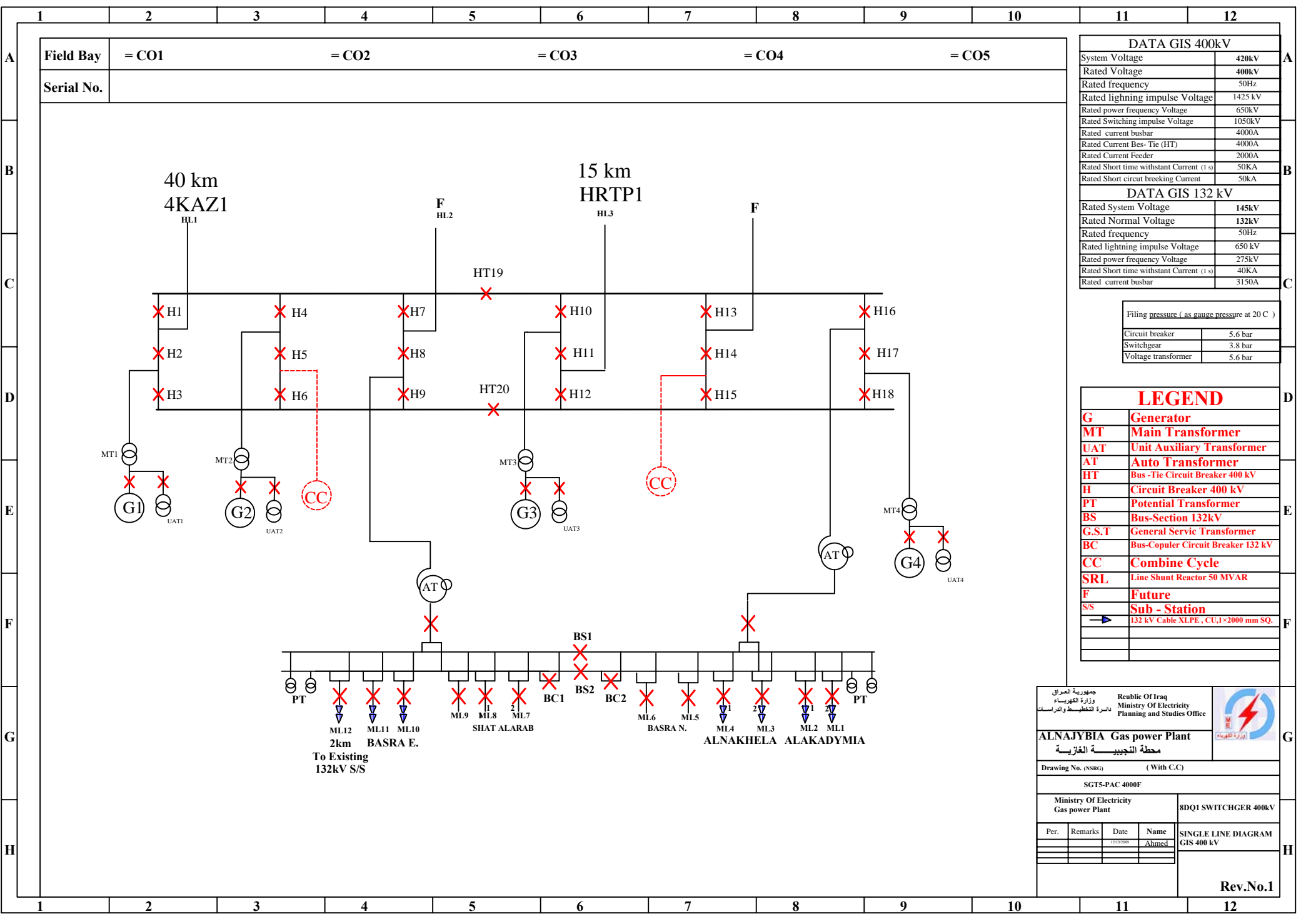
Ministry Of Electricity
 Gas power Plant

8DQ1 SWITCHGER 400kV

Per.	Remarks	Date	Name
		12/21/2009	Ahmed

SINGLE LINE DIAGRAM
 GIS 400 kV

Rev.No.1



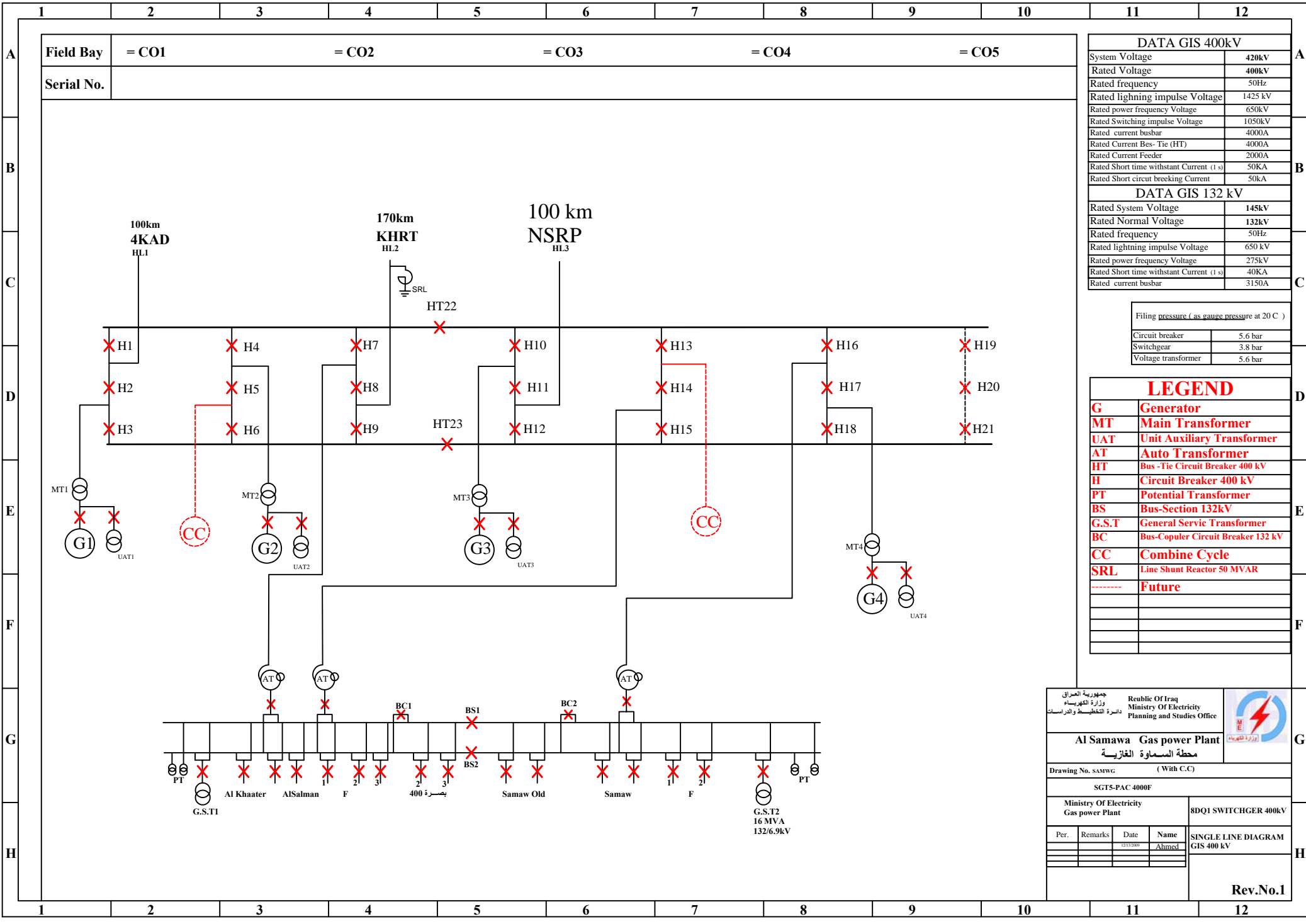
DATA GIS 400kV	
System Voltage	420kV
Rated Voltage	400kV
Rated frequency	50Hz
Rated lightning impulse Voltage	1425 kV
Rated power frequency Voltage	650kV
Rated Switching impulse Voltage	1050kV
Rated current busbar	4000A
Rated Current Bes- Tie (HT)	4000A
Rated Current Feeder	2000A
Rated Short time withstant Current (1 s)	50KA
Rated Short circuit breaking Current	50kA

DATA GIS 132 kV	
Rated System Voltage	145kV
Rated Normal Voltage	132kV
Rated frequency	50Hz
Rated lightning impulse Voltage	650 kV
Rated power frequency Voltage	275kV
Rated Short time withstant Current (1 s)	40KA
Rated current busbar	3150A

Filing pressure (as gauge pressure at 20 C)	
Circuit breaker	5.6 bar
Switchgear	3.8 bar
Voltage transformer	5.6 bar

LEGEND	
G	Generator
MT	Main Transformer
UAT	Unit Auxiliary Transformer
AT	Auto Transformer
HT	Bus -Tie Circuit Breaker 400 kV
H	Circuit Breaker 400 kV
PT	Potential Transformer
BS	Bus-Section 132kV
G.S.T	General Servis Transformer
BC	Bus-Copuler Circuit Breaker 132 kV
CC	Combine Cycle
SRL	Line Shunt Reactor 50 MVAR
F	Future
S/S	Sub - Station
	132 kV Cable XLPE , CU,1×2000 mm SQ.

جمهورية العراق وزارة الكهرباء دائرة التخطيط والدراسات	Republic Of Iraq Ministry of Electricity Planning and Studies Office	
ALNAJYBIA Gas power Plant محطة النجيبية الغازية		
Drawing No. (NSRG) (With C.C)		
SGT5-PAC 4000F		
Ministry Of Electricity Gas power Plant		8DQ1 SWITCHGER 400kV
Per.	Remarks	Date
		12/10/2009
		Ahmed
		SINGLE LINE DIAGRAM GIS 400 kV
		Rev.No.1



DATA GIS 400kV	
System Voltage	420kV
Rated Voltage	400kV
Rated frequency	50Hz
Rated lightning impulse Voltage	1425 kV
Rated power frequency Voltage	650kV
Rated Switching impulse Voltage	1050kV
Rated current busbar	4000A
Rated Current Bes- Tie (HT)	4000A
Rated Current Feeder	2000A
Rated Short time withstand Current (1 s)	50KA
Rated Short circuit breaking Current	50kA

DATA GIS 132 kV	
Rated System Voltage	145kV
Rated Normal Voltage	132kV
Rated frequency	50Hz
Rated lightning impulse Voltage	650 kV
Rated power frequency Voltage	275kV
Rated Short time withstand Current (1 s)	40KA
Rated current busbar	3150A

Filing pressure (as gauge pressure at 20 C)	
Circuit breaker	5.6 bar
Switchgear	3.8 bar
Voltage transformer	5.6 bar

LEGEND	
G	Generator
MT	Main Transformer
UAT	Unit Auxiliary Transformer
AT	Auto Transformer
HT	Bus-Tie Circuit Breaker 400 kV
H	Circuit Breaker 400 kV
PT	Potential Transformer
BS	Bus-Section 132kV
G.S.T	General Servis Transformer
BC	Bus-Copuler Circuit Breaker 132 kV
CC	Combine Cycle
SRL	Line Shunt Reactor 50 MVAR
-----	Future

جمهورية العراق
 وزارة الكهرباء
 دائرة التخطيط والدراسات

Reubic Of Iraq
 Ministry Of Electricity
 Planning and Studies Office



Al Samawa Gas power Plant
 محطة الساموة الغازية

Drawing No. SAMWG (With C.C.)
 SGT5-PAC 4000F

Ministry Of Electricity
 Gas power Plant

8DQ1 SWITCHGER 400kV
 SINGLE LINE DIAGRAM
 GIS 400 kV

Per.	Remarks	Date	Name
		15/11/2007	Ahmed

Rev.No.1

1 2 3 4 5 6 7 8 9 10 11 12

Field Bay = CO1 = CO2 = CO3 = CO4 = CO5

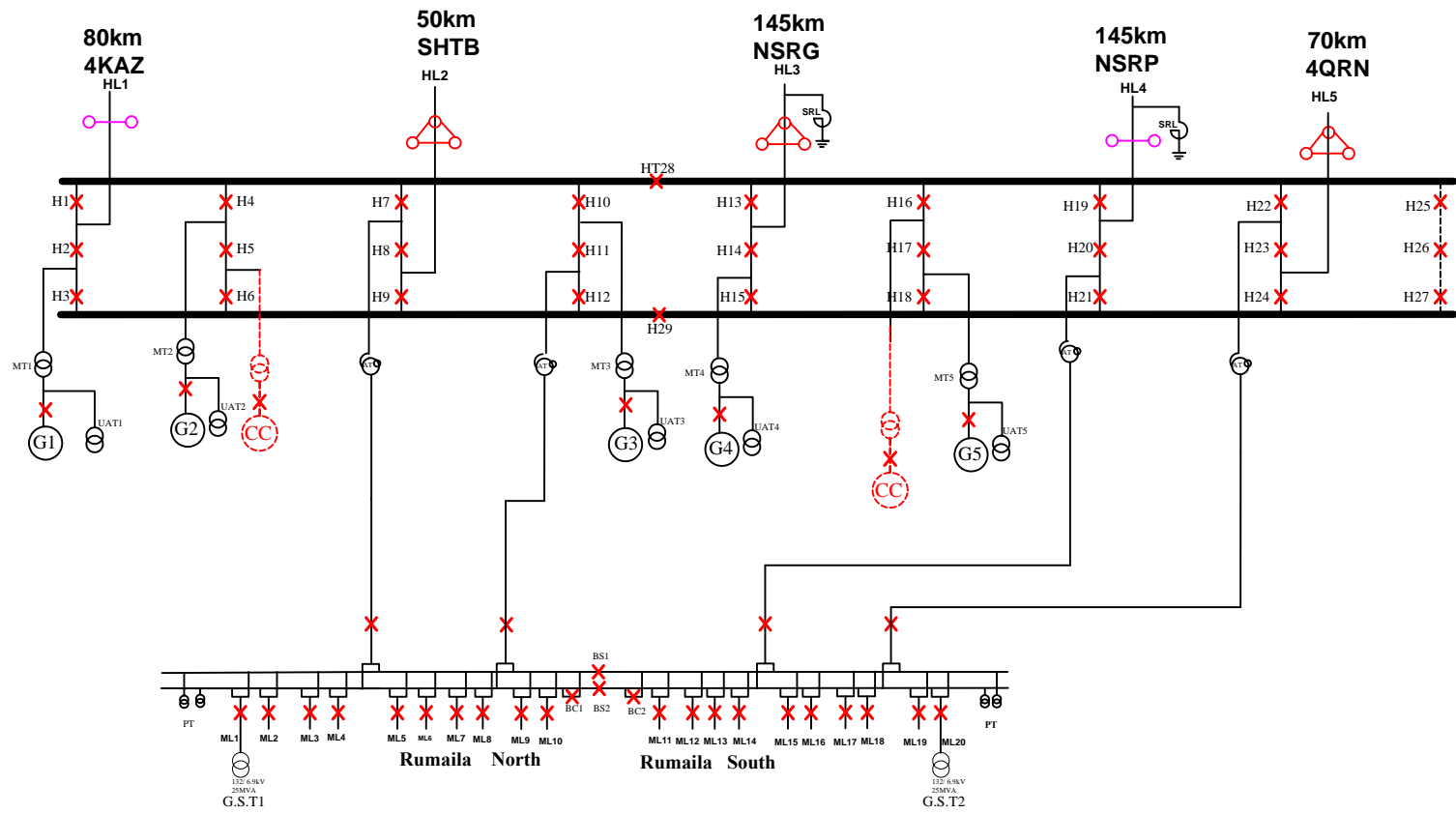
Serial No.

DATA GIS 400kV	
System Voltage	420kV
Rated Voltage	400kV
Rated frequency	50Hz
Rated lightning impulse Voltage	1425 kV
Rated power frequency Voltage	650kV
Rated Switching impulse Voltage	1050kV
Rated current busbar	4000A
Rated Current Bes- Tie (HT)	4000A
Rated Current Feeder	2000A
Rated Short time withstand Current (1 s)	50KA
Rated Short circuit breaking Current	50KA

DATA GIS 132 kV	
Rated System Voltage	145kV
Rated Normal Voltage	132kV
Rated frequency	50Hz
Rated lightning impulse Voltage	650 kV
Rated power frequency Voltage	275kV
Rated Short time withstand Current (1 s)	40KA
Rated current busbar	3150A

Filling pressure (as gauge pressure at 20 C)	
Circuit breaker	5.6 bar
Switchgear	3.8 bar
Voltage transformer	5.6 bar

LEGEND	
G	Generator
MT	Main Transformer
UAT	Unit Auxiliary Transformer
AT	Auto Transformer
HT	Bus -Tie Circuit Breaker 400 kV
H	Circuit Breaker 400 kV
PT	Potential Transformer
BS	Bus-Section 132kV
G.S.T	General Servie Transformer
BC	Bus-Copuler Circuit Breaker 132 kV
CC	Combine Cycle
SRL	Line Shunt Reactor 50 MVAR
-----	Future



جمهورية العراق
 وزارة الكهرباء
 دائرة التخطيط والدراسات

Republic of Iraq
 Ministry of Electricity
 Planning and Studies Office



AI RUMAILA GAS POWER PLANT
 محطة الرميلة الغازية

Drawing No. RMLG (With C.C)

SGT5-PAC 4000F

Ministry of Electricity
 Gas power Plant

8DQ1 SWITCHGER 400kV

Per.	Remarks	Date	Name
		12/21/2009	Ahmed

SINGLE LINE DIAGRAM
 GIS 400 kV

Rev.No.1

1 2 3 4 5 6 7 8 9 10 11 12